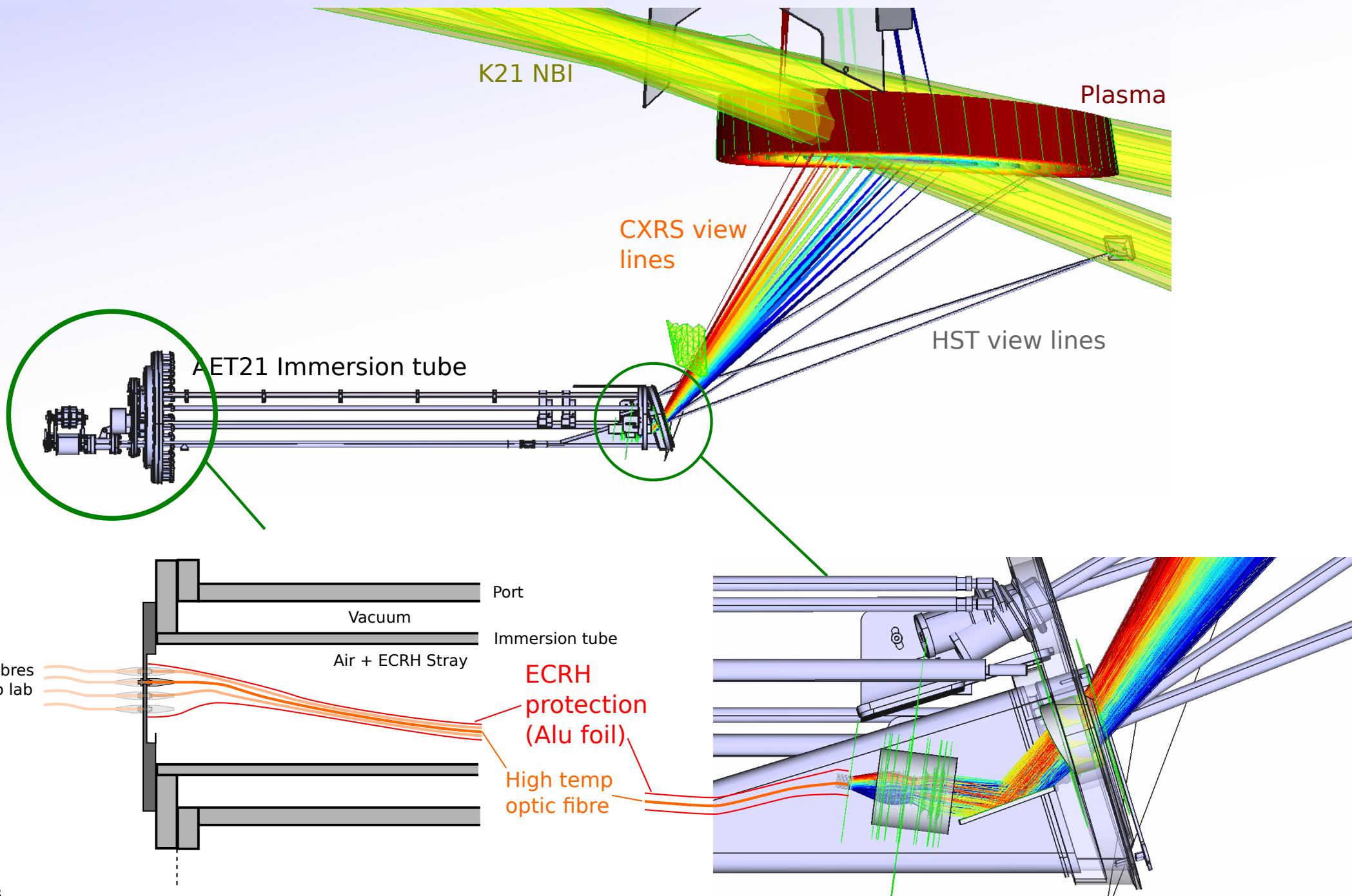
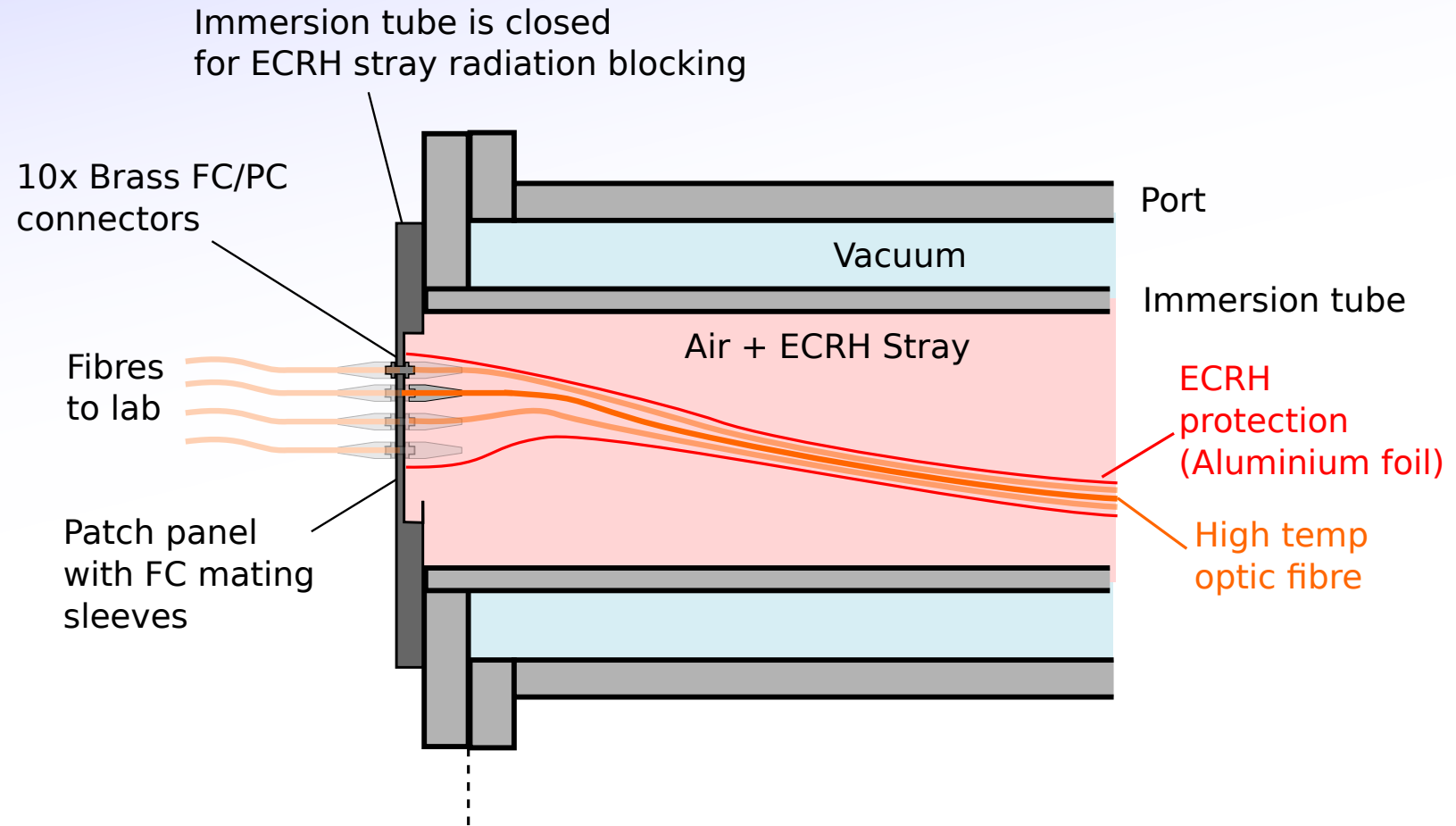




AET20/T21 Ports



AET20/T21 Flange and backplane

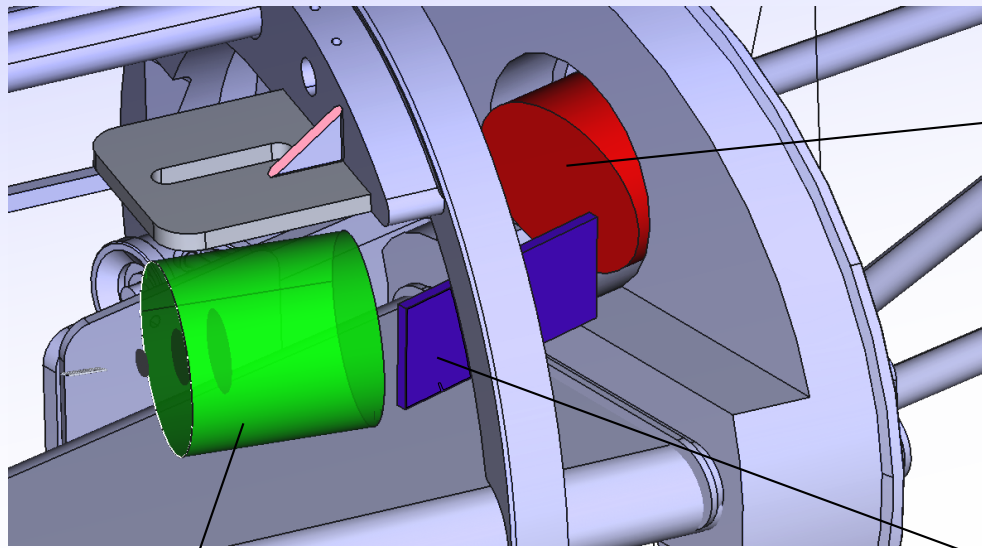


Connectors:

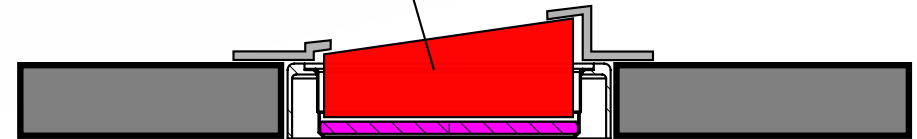
Brass ($\mu_r = 1.02$, 500x = 7k€)



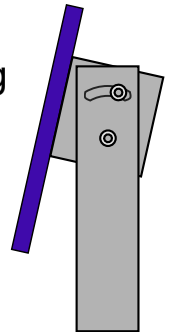
AET20/T21 CXRS Optics



Prism must be held near/against window.

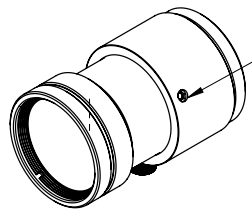


Mirror needs to be tilt adjustable (slots on mounting bolts will be sufficient).



Mirror thickness ~3mm

35mm c-mount lens, e.g:



(2) M3 SET SCREWS WITH NYLON TIP FOR OPTIONAL FOCUS LOCKING @ 120° FROM LOCK KNOB

