

H G F E D C B A

4

3

2

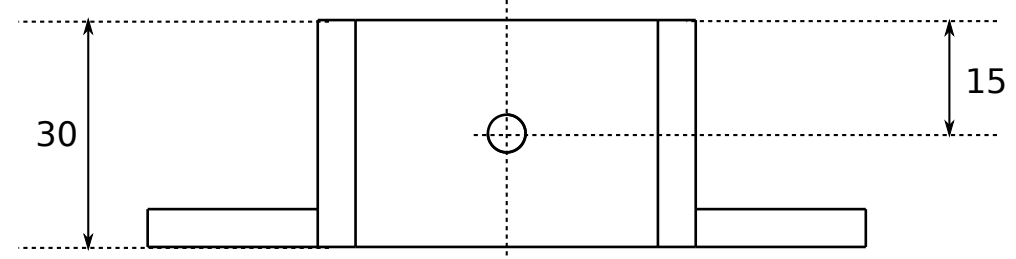
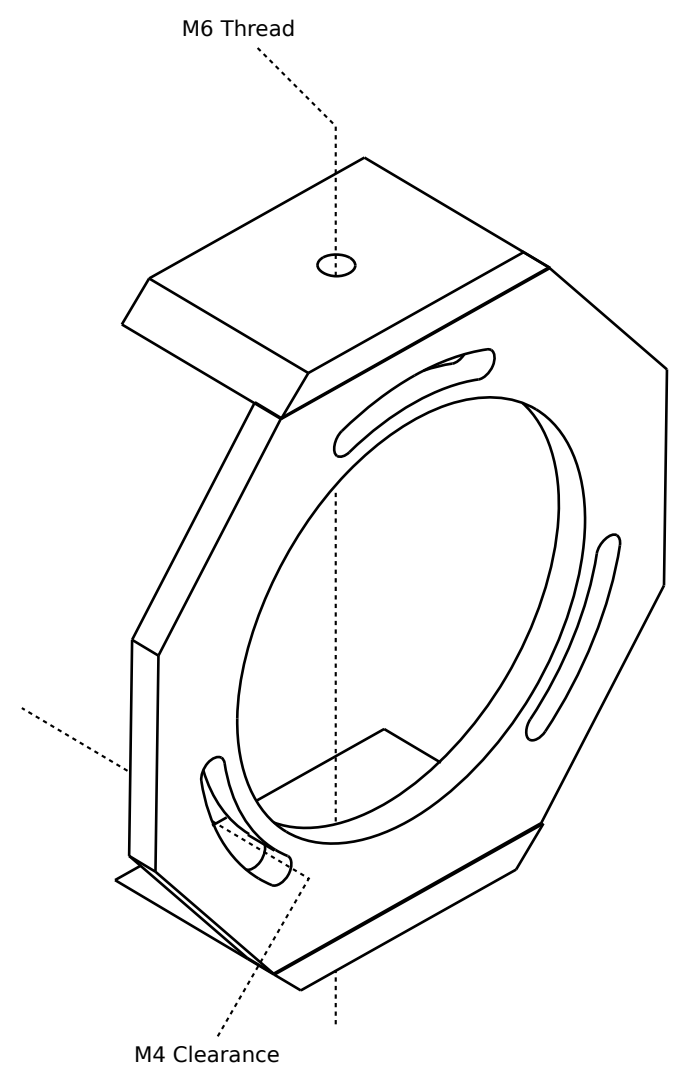
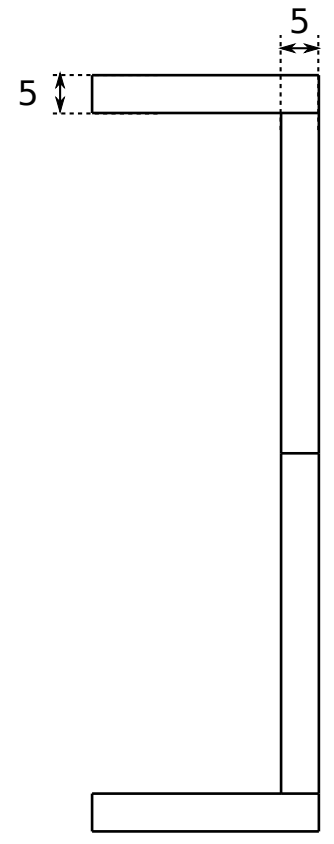
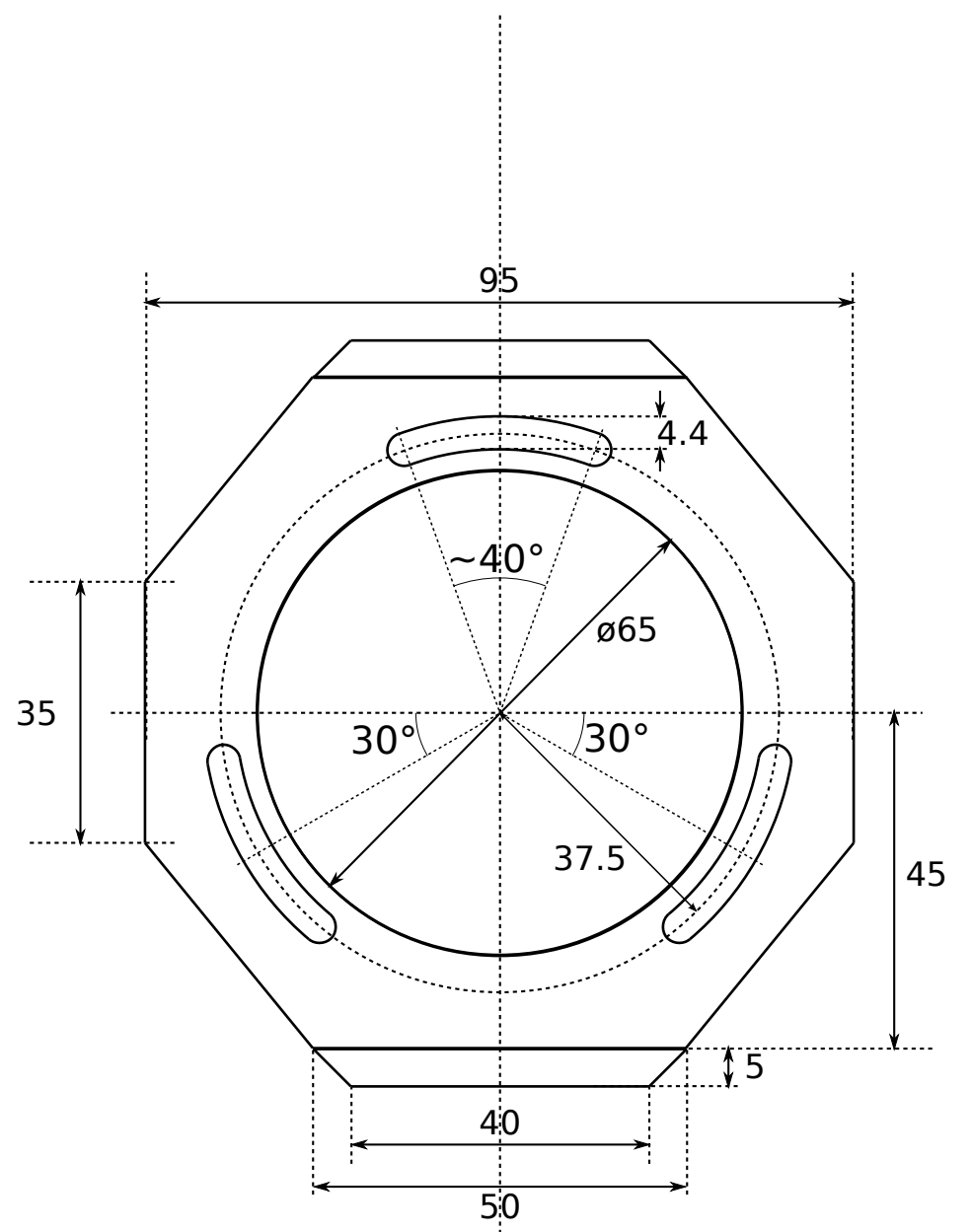
1

4

3

2

1



DESIGNED BY: OLIVER FORD		IMSE Carriage Oven Mount (3)		I	-
DATE: 28/11/2012				H	-
CHECKED BY:				G	-
DATE:				F	-
SIZE A3		DRAWING NUMBER 6		E	-
SCALE 1:1	WEIGHT (kg)			D	-
		SHEET 1		C	-
				B	-
				A	-

This drawing is our property; it can't be reproduced or communicated without our written agreement.

H G F E D C B A