

F

E

D

C

B

A

4

4

3

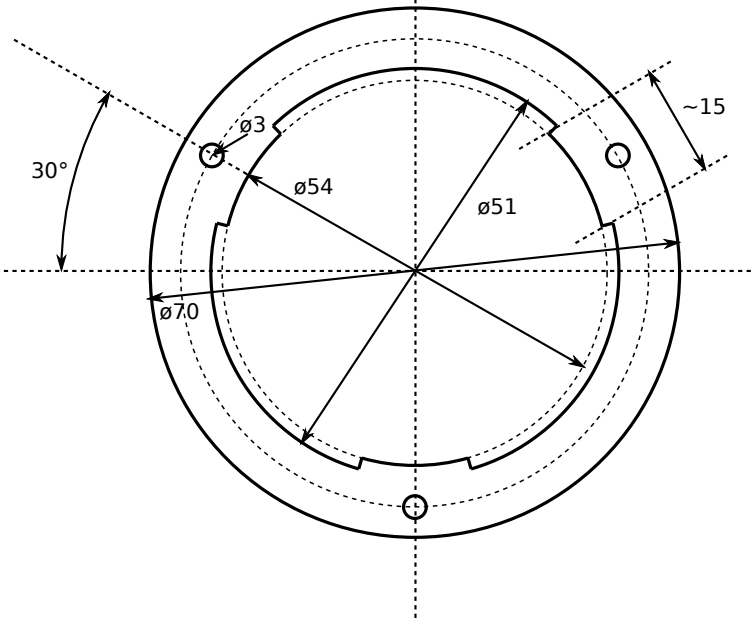
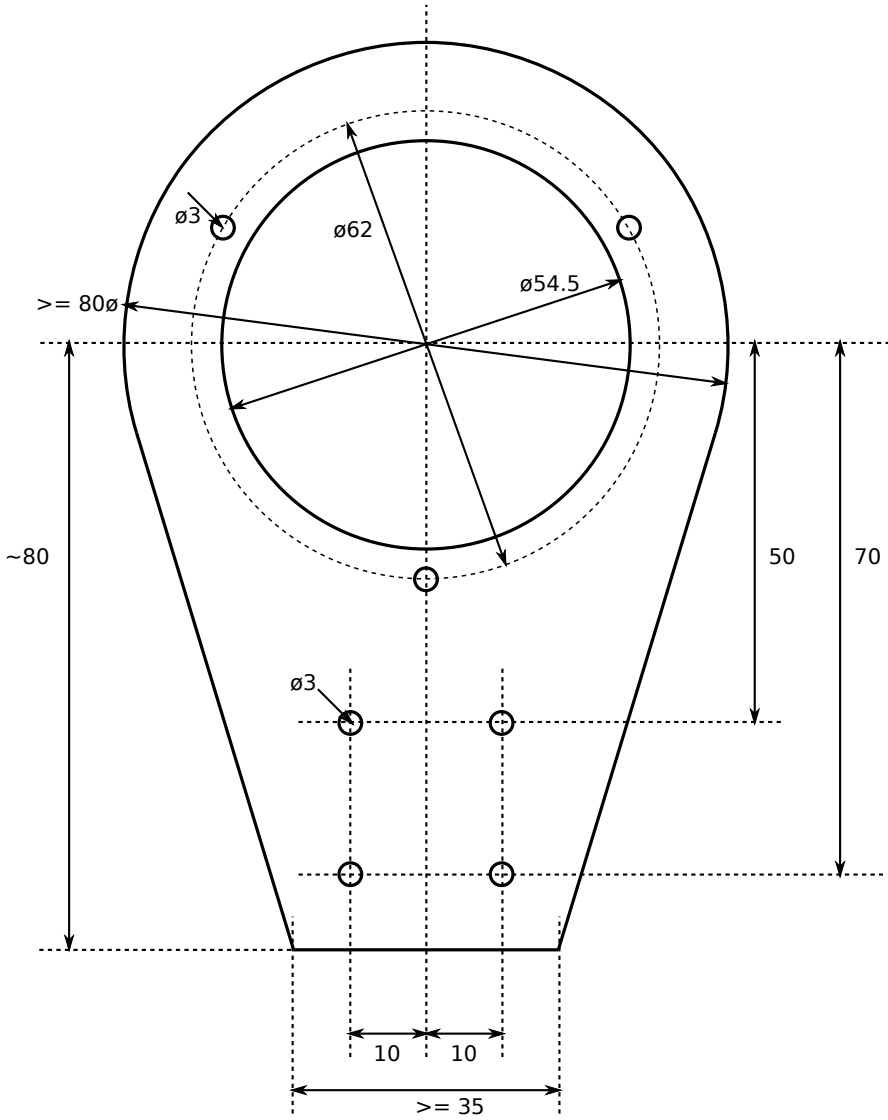
3

2

2

1

1



DESIGNED BY: OLIVER FORD		IMSE Carriage		G	—
DATE: 12/07/2012		Canon EF Mount (Initial)		F	—
SIZE A4		Aluminium, thickness $\leq 2\text{mm}$		E	—
SCALE 1:1	WEIGHT (kg)	DRAWING NUMBER	SHEET	D	—
This drawing is our property; it can't be reproduced or communicated without our written consent.				C	—
				B	—
				A	—



F

E

D